



**P/N: 40ST1038AX DATA SHEET**

**Feature**



- IEEE 802.3 Ethernet compatible, 100 BASE-TX.
- Surface mountable.
- Design for multi-port repeater and Ethernet switching Hub application.
- Customer designs available for specific application.
- Operating temperature range : 0 to +70 .
- Storage temperature range: -25 to +125 .

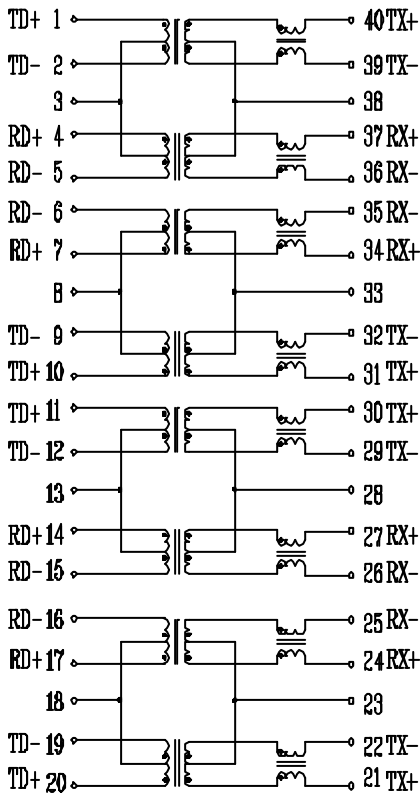
**Electrical Specifications @ 25° C**

Part Number	Turns Ratio (±5%)		OCL (uH Min) @ 100KHz/0.1V with 8mA/DC Bias	HI-POT (Vrms)
	TX	RX		
40ST1038AX	1:0.85	1:0.85	350	1500

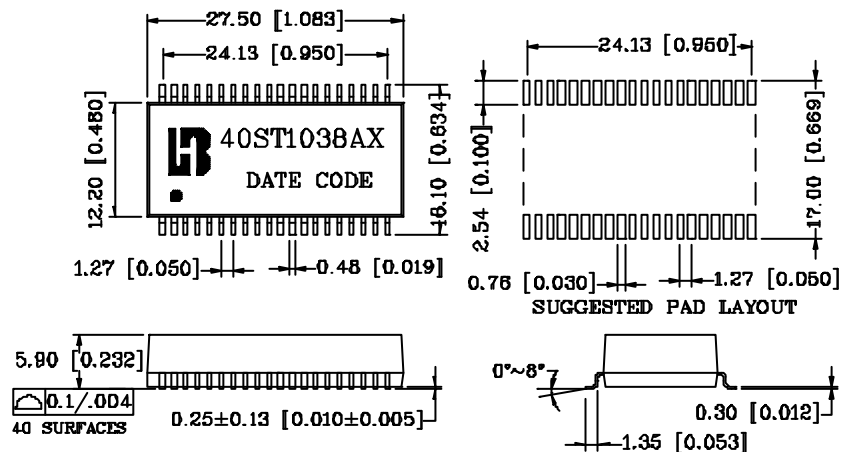
**Continue**

Part Number	Insertion Loss (dB Max)	Return Loss (dB Min)				Cross talk (dB Min)		CMR (dB Min)	
		1-100MHz	1-30MHz	30-60MHz	60-80MHz	0.3-60MHz	60-100MHz	1-30MHz	30-60MHz
40ST1038AX	-1.0	-16	-12	-10	-40	-35	-40	-30	

**Schematic**



**Mechanical**



Units: mm [Inches] Tolerance: xx.x0±0.25 [0.010]  
0.xx±0.05 [0.002]